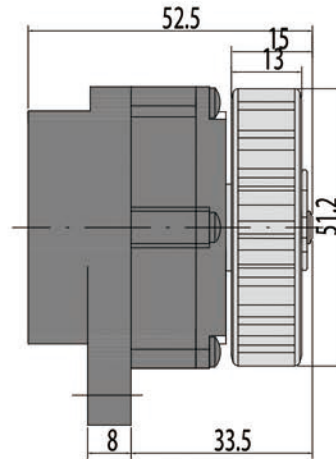
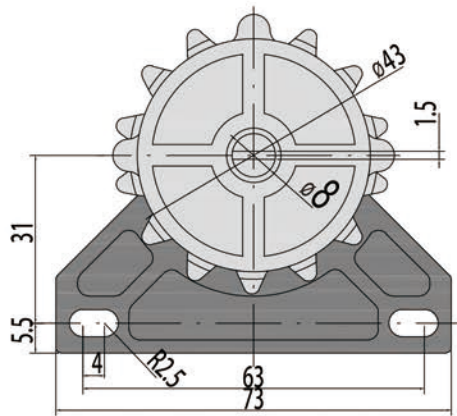
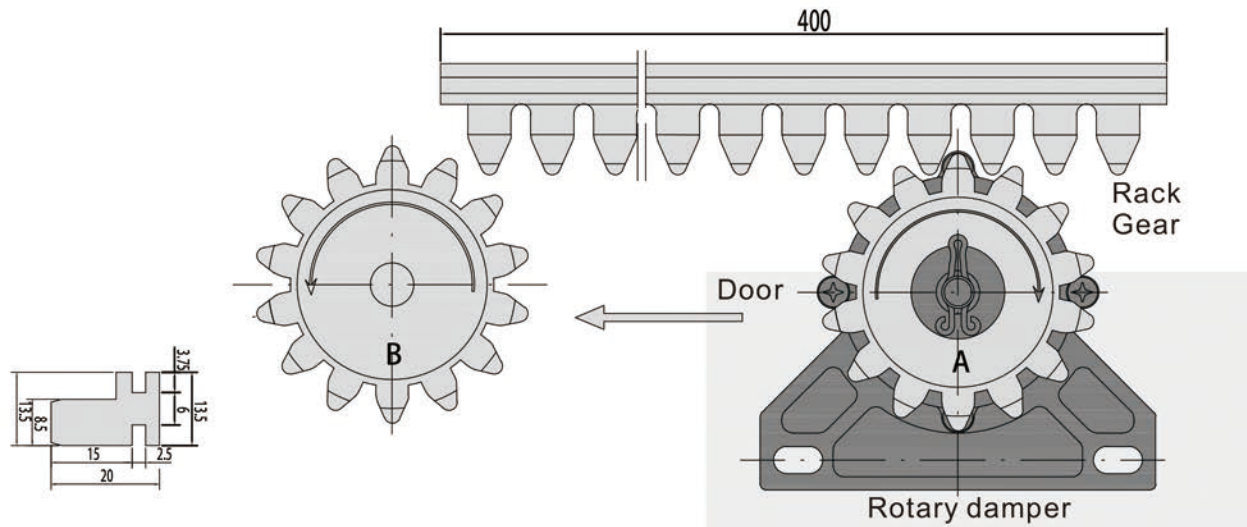


# RH-M50A0



Model	Torque at 23°C and 30 rpm.	Damping direction
RH-M50A0-R502(G)-CT	0.5±0.1N·m 5±1 Kgf·cm	Clockwise
RH-M50A0-L502(G)-CT	0.5±0.1N·m 5±1 Kgf·cm	Anticlockwise

Gear Specifications	G
Type	Standard spur gear
Tooth profile	Involute
Module	3.75
Pressure angle	20°
Number of teeth	14
Pitch circle diameter	ø52.5



**FIDO**  Motion Control

## RH-M50

Damper drawing